



*Sleek and sophisticated ceiling fan design that best suits the climatic and functional needs of Singapore*



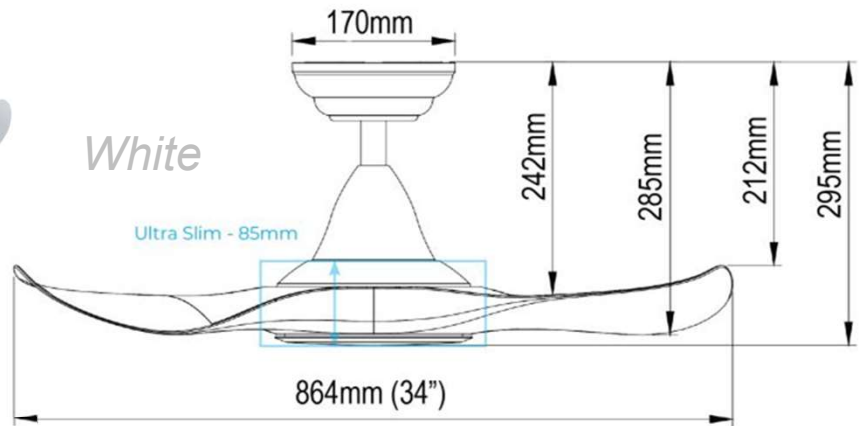
**CEILING FAN  
WITH LED LIGHT**

Thurman 343 LED 34"

\$708



White



Black



Honey  
Maplewood



Matte  
Titanium

- Fan Motor: ECM DC 155
- Fan Size: 864mm (34")
- Number of Blades / Material: 3  
Blades / ABS
- Number of Fan Speeds: 1 to 5
- Fan (RPM): 120-280
- Wind Speed (M/S): 1.18-3.17
- Airflow (CFM): 2500-6720
- Efficiency CFM Per Watt: 420 at  
Highest Speed
- Fan Wattage: 3W-16W
- Fan Voltage: 230V/50Hz
- Light Wattage: 2.2W-22W
- Light Luminous Flux: LUMENS  
(DAY-2550, WARM-2450,  
COOL-2570)
- Light Function: Dimmable from  
10-100%
- Remote Control: Included
- Natural Wind Function: Yes
- Forward/Reverse Airflow  
Function: Yes
- Box Dimension (L x W x H):  
768mm x 427mm x 251mm
- Nett Weight: 5.6kg
- Gross Weight: 7.6kg

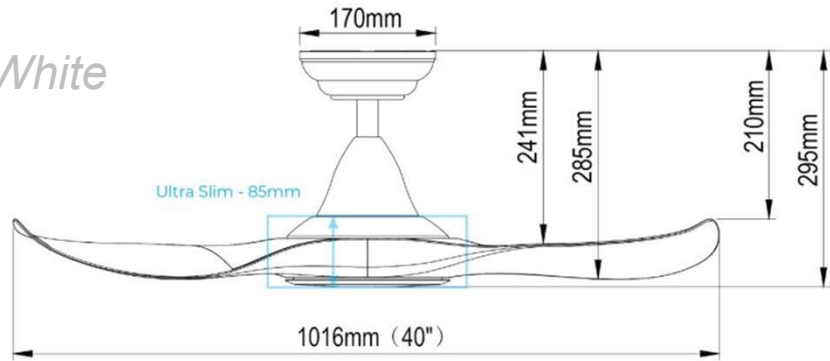


Isabel 403 LED 40"

\$728



White



Black



Honey  
Maplewood



Matte  
Titanium

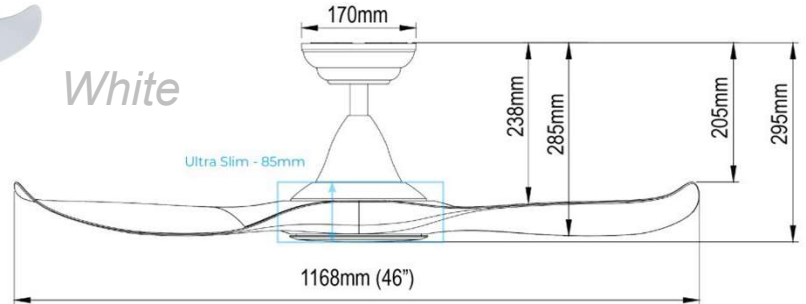
- Fan Motor: ECM DC 155
- Fan Size: 1016mm (40")
- Number of Blades / Material: 3  
Blades / ABS
- Number of Fan Speeds: 1 to 5
- Fan (RPM): 110-260
- Wind Speed (M/S): 1.46-3.53
- Airflow (CFM): 3100-7490
- Efficiency CFM Per Watt: 288 at  
Highest Speed
- Fan Wattage: 3W-26W
- Fan Voltage: 230V/50Hz
- Light Wattage: 2.2W-22W
- Light Luminous Flux: LUMENS  
(DAY-2550, WARM-2450,  
COOL-2570)
- Light Function: Dimmable from  
10-100%
- Remote Control: Included
- Natural Wind Function: Yes
- Forward/Reverse Airflow  
Function: Yes
- Box Dimension (L x W x H):  
768mm x 427mm x 251mm
- Nett Weight: 5.8kg
- Gross Weight: 7.8kg

Troy 463 LED 46"

\$748



White



Black



Honey  
Mapleod



Matte  
Titanium

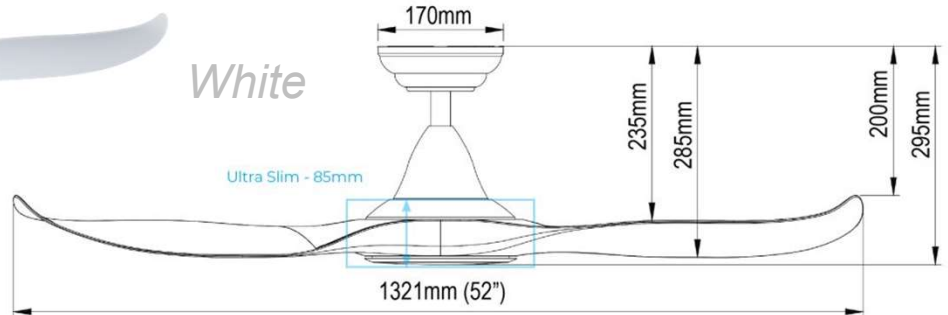
Fan Motor: ECM DC 155  
 Fan Size: 1168mm (46")  
 Number of Blades / Material: 3  
 Blades / ABS  
 Number of Fan Speeds: 1 to 5  
 Fan (RPM): 100-230  
 Wind Speed (M/S): 1.51-3.96  
 Airflow (CFM): 3200-8400  
 Efficiency CFM Per Watt: 262.5  
 at Highest Speed  
 Fan Wattage: 3W-32W  
 Fan Voltage: 230V/50Hz  
 Light Wattage: 2.2W-22W  
 Light Luminous Flux: LUMENS  
 (DAY-2550, WARM-2450,  
 COOL-2570)  
 Light Function: Dimmable from  
 10-100%  
 Remote Control: Included  
 Natural Wind Function: Yes  
 Forward/Reverse Airflow  
 Function: Yes  
 Box Dimension (L x W x H):  
 768mm x 427mm x 251mm  
 Nett Weight: 6.0kg  
 Gross Weight: 8.0kg

Isaac 523 LED 52"

\$768



White



Black



Honey  
Maplewood



Matte  
Titanium

Fan Motor: ECM DC 155

Fan Size: 1321mm (52")

Number of Blades / Material: 3  
Blades / ABS

Number of Fan Speeds: 1 to 5  
Fan (RPM): 90-210

Wind Speed (M/S): 1.76-4.06

Airflow (CFM): 3720-8610

Efficiency CFM Per Watt:

253.2 at Highest Speed

Fan Wattage: 5W-34W

Fan Voltage: 230V/50Hz

Light Wattage: 2.2W-22W

Light Luminous Flux:

LUMENS (DAY-2550, WARM-  
2450, COOL-2570)

Light Function: Dimmable from  
10-100%

Remote Control: Included

Natural Wind Function: Yes

Forward/Reverse Airflow

Function: Yes

Box Dimension (L x W x H):

768mm x 427mm x 251mm

Nett Weight: 6.5kg

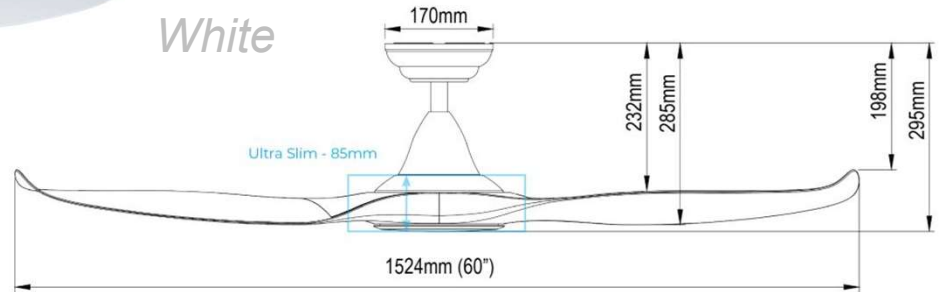
Gross Weight: 8.5kg

Tiffany 603 LED 60"

\$788



White



Black



Honey  
Maplewood



Matte  
Titanium

Fan Motor: ECM DC 155

Fan Size: 1524mm (60")

Number of Blades / Material: 3  
Blades / ABS

Number of Fan Speeds: 1 to 5  
Fan (RPM): 90-170

Wind Speed (M/S): 1.77-3.56

Airflow (CFM): 3760-7540

Efficiency CFM Per Watt: 203.8  
at Highest Speed

Fan Wattage: 6W-37W

Fan Voltage: 230V/50Hz

Light Wattage: 2.2W-22W

Light Luminous Flux: LUMENS  
(DAY-2550, WARM-2450,  
COOL-2570)

Light Function: Dimmable from  
10-100%

Remote Control: Included

Natural Wind Function: Yes

Forward/Reverse Airflow

Function: Yes

Box Dimension (L x W x H):

768mm x 427mm x 251mm

Nett Weight: 6.7kg

Gross Weight: 8.7kg

New Hydrographic Dipped Colour

Satin Titanium STI

Black Carbon Fiber BCF



Limited edition Series!

1ST IN SINGAPORE

36 Months ON-SITE Warranty for LED & Remote Control

**New 2023**  
Hydrographic Dipped Colour

*Satin Titanium* (STI) 52"

*Black Carbon Fiber* (BCF) 60"

**Downrod**

<b>SAMSUNG 22w tri-colour dimmable LED</b>					New price from 1st June 2023
Thurman 343 LED (34") NOW S\$ <b>758</b>	Isabel 403 LED (40") NOW S\$ <b>778</b>	Troy 463 LED (46") NOW S\$ <b>798</b>	Isaac 523 LED (52") NOW S\$ <b>818</b>	Tiffany 603 LED (60") NOW S\$ <b>838</b>	
<b>No Light</b>					
Thurman 343 NL (34") NOW S\$ <b>708</b>	Isabel 403 NL (40") NOW S\$ <b>728</b>	Troy 463 NL (46") NOW S\$ <b>748</b>	Isaac 523 NL (52") NOW S\$ <b>768</b>	Tiffany 603 NL (60") NOW S\$ <b>788</b>	



Hugger With LED

Sizes available:  
34", 40", 46", 52", 60"

Thurman 343 (34"): \$758

Isabel 403 (40"): \$778

Troy 463 (46"): \$798

Isaac 523 (52"): \$818

Tiffany 603 (60"): \$838



*White*



*Matte Titanium*



*Black*



*Honey Maplewood*

## Hugger With LED

Troy 463 (46") : \$848

Isaac 523 (52") : \$868

Tiffany 603 (60") : \$888

## Limited edition

*Black Dutch Cocoa*



## Special edition

*White Dutch Cocoa*





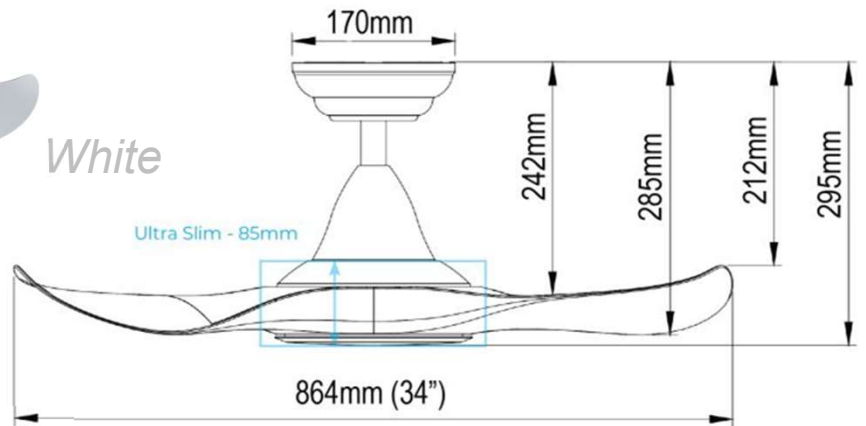
**CEILING FAN  
WITHOUT LIGHT**

Thurman 343 NL 34"

\$658



White



Black



Honey  
Maple wood



Matte  
Titanium

Fan Motor: ECM DC 155 Fan  
 Size: 864mm (34")  
 Number of Blades / Material: 3  
 Blades / ABS  
 Number of Fan Speeds: 1 to 5  
 Fan (RPM): 120-280  
 Wind Speed (M/S): 1.18-3.17  
 Airflow (CFM): 2500-6720  
 Efficiency CFM Per Watt: 420  
 at Highest Speed  
 Fan Wattage: 3W-16W  
 Fan Voltage: 230V/50Hz  
 Remote Control: Included  
 Natural Wind Function: Yes  
 Forward/Reverse Airflow  
 Function: Yes  
 Box Dimension (L x W x H):  
 768mm x 427mm x 251mm  
 Nett Weight: 5.6kg  
 Gross Weight: 7.6kg

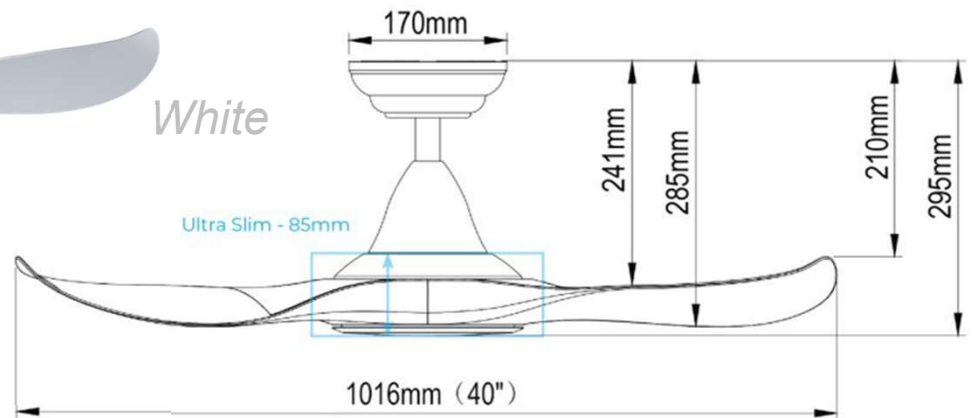


Isabel 403 NL 40"

\$678



White



Black



Honey  
Maplewood

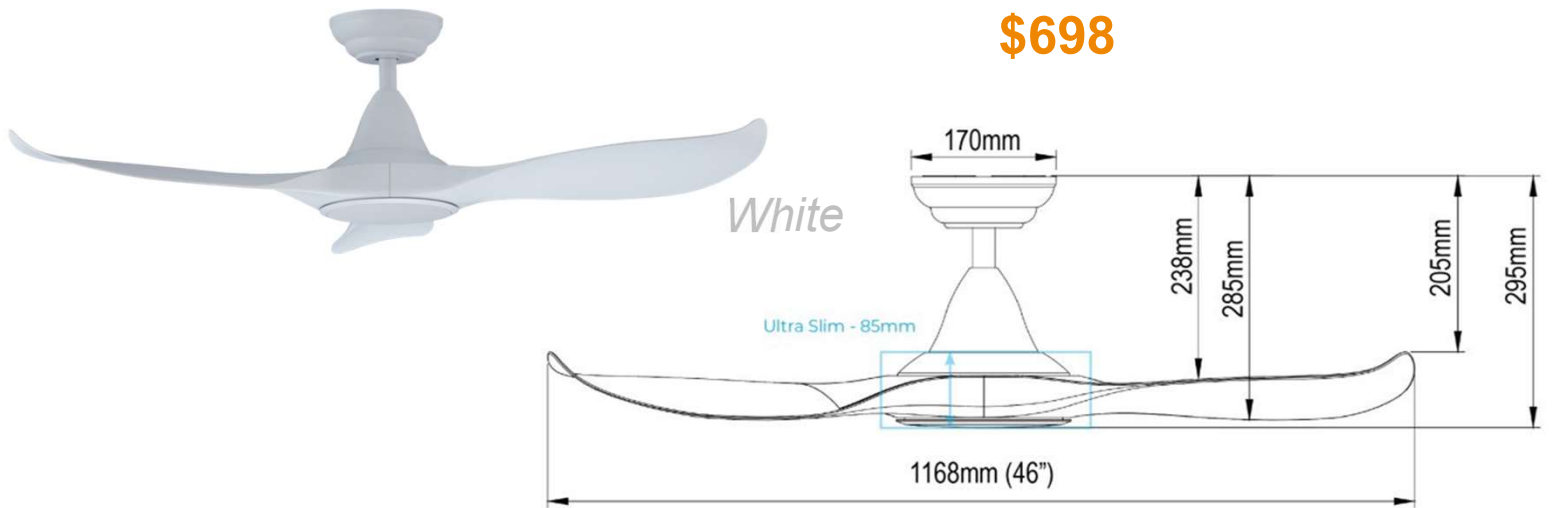


Matte  
Titanium

Fan Motor: ECM DC 155  
 Fan Size: 1016mm (40")  
 Number of Blades / Material: 3  
 Blades / ABS  
 Number of Fan Speeds: 1 to 5  
 Fan (RPM): 110-260  
 Wind Speed (M/S): 1.46-3.53  
 Airflow (CFM): 3100-7490  
 Efficiency CFM Per Watt: 288  
 at Highest Speed  
 Fan Wattage: 3W-26W  
 Fan Voltage: 230V/50Hz  
 Remote Control: Included  
 Natural Wind Function: Yes  
 Forward/Reverse Airflow  
 Function: Yes  
 Box Dimension (L x W x H):  
 768mm x 427mm x 251mm  
 Nett Weight: 5.8kg  
 Gross Weight: 7.8kg

Troy 463 NL 46"

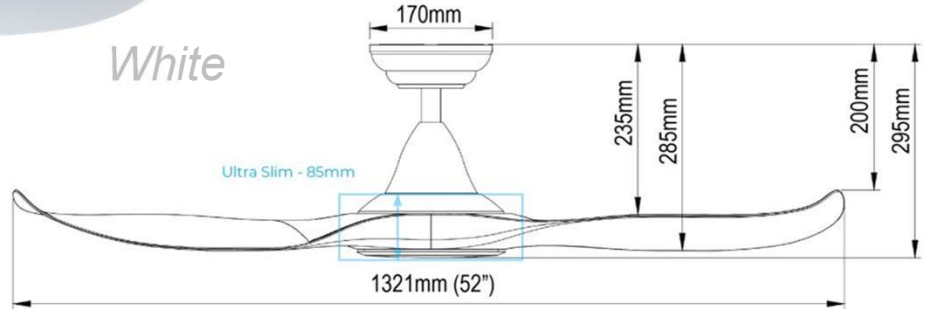
\$698



Fan Motor: ECM DC 155  
 Fan Size: 1168mm (46")  
 Number of Blades / Material: 3  
 Blades / ABS  
 Number of Fan Speeds: 1 to 5  
 Fan (RPM): 100-230  
 Wind Speed (M/S): 1.51-3.96  
 Airflow (CFM): 3200-8400  
 Efficiency CFM Per Watt: 262.5  
 at Highest Speed  
 Fan Wattage: 3W-32W  
 Fan Voltage: 230V/50Hz  
 Remote Control: Included  
 Natural Wind Function: Yes  
 Forward/Reverse Airflow  
 Function: Yes  
 Box Dimension (L x W x H):  
 768mm x 427mm x 251mm  
 Nett Weight: 6.0kg  
 Gross Weight: 8.0kg

Isaac 523 NL 52"

\$718



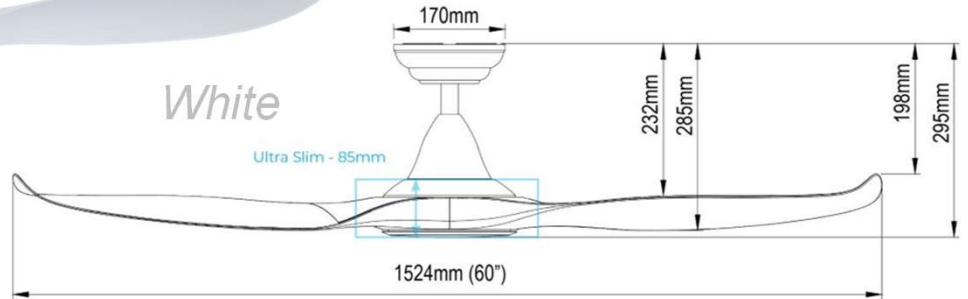
Fan Motor: ECM DC 155  
 Fan Size: 1321mm (52")  
 Number of Blades / Material: 3  
 Blades / ABS  
 Number of Fan Speeds: 1 to 5  
 Fan (RPM): 90-210  
 Wind Speed (M/S): 1.76-4.06  
 Airflow (CFM): 3720-8610  
 Efficiency CFM Per Watt: 253.2  
 at Highest Speed  
 Fan Wattage: 5W-34W  
 Fan Voltage: 230V/50Hz  
 Remote Control: Included  
 Natural Wind Function: Yes  
 Forward/Reverse Airflow  
 Function: Yes  
 Box Dimension (L x W x H):  
 768mm x 427mm x 251mm  
 Nett Weight: 6.5kg  
 Gross Weight: 8.5kg

Tiffany 603 NL 60"

\$738



White



Black



Honey  
Maplewood



Matte  
Titanium

Fan Motor: ECM DC 155  
 Fan Size: 1524mm (60")  
 Number of Blades / Material: 3  
 Blades / ABS  
 Number of Fan Speeds: 1 to 5  
 Fan (RPM): 90-170  
 Wind Speed (M/S): 1.77-3.56  
 Airflow (CFM): 3760-7540  
 Efficiency CFM Per Watt: 203.8  
 at Highest Speed  
 Fan Wattage: 6W-37W  
 Fan Voltage: 230V/50Hz  
 Remote Control: Included  
 Natural Wind Function: Yes  
 Forward/Reverse Airflow  
 Function: Yes  
 Box Dimension (L x W x H):  
 768mm x 427mm x 251mm  
 Nett Weight: 6.7kg  
 Gross Weight: 8.7kg



Sizes available:  
34", 40", 46", 52", 60"

Hugger No Light

Thurman 343 NL (34"): \$708

Isabel 403 NL (40"): \$728

Troy 463 NL (46"): \$748

Isaac 523 NL (52"): \$768

Tiffany 603 NL (60"): \$788



*White*



*Matte Titanium*



*Black*



*Honey Maplewood*

## Hugger No Light

Troy 463 NL (46"): \$798

Isaac 523 NL (52"): \$818

Tiffany 603 NL (60"): \$838

## Limited edition

*Black Dutch Cocoa*



## Special edition

*White Dutch Cocoa*





Whatsapp: +65 8229 4458