



Make for better living



or



9451 5162

My Sweet Home SG

Built-in
Hob

Glass



NEW



WG-830SV

588.00



Blossom Flame

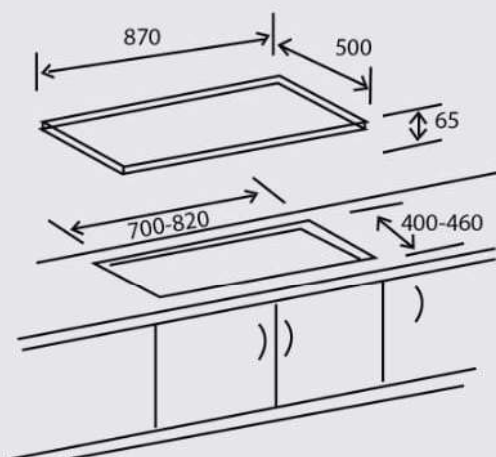


Safety Device

General Specification:

- Toughened Glass
- Battery Operated Ignition
- Double-Jet System (L&R) Triple Ring
- Medium Bruner (C)
- Cast-Iron Trivets
- Flame Supervision Device

Overall Dimension (mm)
W:870 x D:500 x H-65
Cut-out Dimension (mm)
W:700-820 x D:400-460, 4-R120



538.00



WG-248SV



Blossom Flame

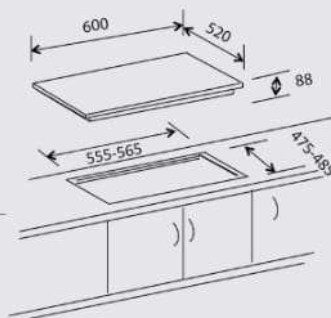


Safety Device

General Specification:

- Toughened Glass
- Battery Operated Ignition
- Double-Jet System (L) Triple Ring
- Medium and Small Burners
- Cast-Iron Trivets
- Flame Supervision Device

Overall Dimension (mm)
W:600 x D:520 x H:88
Cut-out Dimension (mm)
W:555-565 x D:475-485, 4-R30



468.00 **WG-2SV**



Blossom Flame

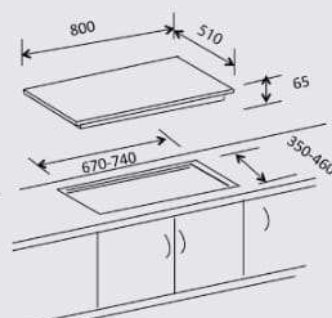


Safety Device

General Specification:

- Toughened Glass
- Battery Operated Ignition
- Double-Jet System (L&R) Triple Ring
- Cast-Iron Trivets
- Flame Supervision Device

Overall Dimension (mm)
W:800 x D:510 x H-65
Cut-out Dimension (mm)
W:670-740 x D:350-460, 4-R50



My Sweet Home SG

Built-in
Hob

Stainless Steel



NEW

508.00



OS-802SV

General Specification:

- Stainless Steel
- Battery Operated Ignition
- Double-Jet System (L&R) Triple-Ring
- Cast-Iron Trivets
- Flame Supervision Device

Overall Dimension (mm)
W:860 x D:510 x H:65
Cut-out Dimension (mm)
W:700-840 x D:400-480, 4-R120

NEW

558.00



OS-803SV

General Specification:

- Stainless Steel
- Battery Operated Ignition
- Double-Jet System (L&R) Triple-Ring
- Cast-Iron Trivets
- Flame Supervision Device

Overall Dimension (mm)
W:860 x D:510 x H:65
Cut-out Dimension (mm)
W:700-840 x D:400-480, 4-R120

NEW



OS-812SV

558.00

General Specification:

- Stainless Steel
- Battery Operated Ignition
- Double-Jet System (L) Triple-Ring
- Cast-Iron Trivets
- Medium and Small Burners
- Flame Supervision Device

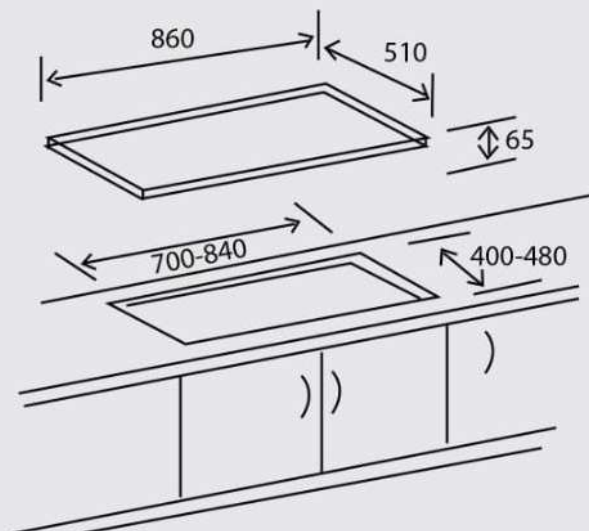
Overall Dimension (mm)
W:860 x D:510 x H:65
Cut-out Dimension (mm)
W:700-840 x D:400-480, 4-R120



Blossom Flame



Safety Device



My Sweet Home SG

Built-in
Hob

Stainless Steel



NEW



EB-338SV

498.00

General Specification:

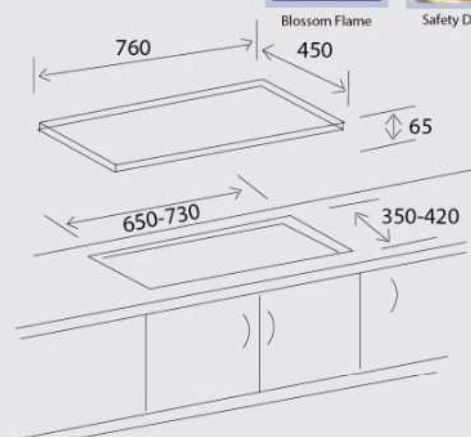
- Stainless Steel
 - Battery Operated Ignition
 - Double-Jet System (L&R)
 - Triple-Ring
 - Cast-Iron Trivets
 - Flame Supervision Device
- Overall Dimension (mm)
W:760 x D:450 x H:65
- Cut-out Dimension (mm)
W:650-730 x D:350-420, 4-R120



Blossom Flame



Safety Device



EB-228SV

448.00

General Specification:

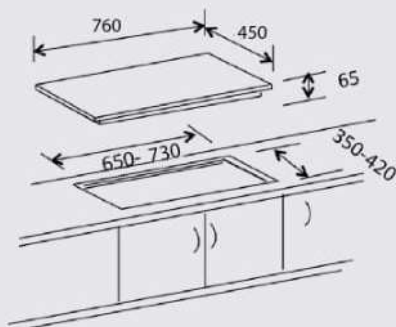
- Stainless Steel
 - Battery Operated Ignition
 - Double-Jet System (L&R)
 - Triple-Ring
 - Cast-Iron Trivets
 - Flame Supervision Device
- Overall Dimension (mm)
W:760 x D:450 x H:65
- Cut-out Dimension (mm)
W:650-730 x D:350-420, 4-R120



Blossom Flame



Safety Device



EB-248SV

508.00

General Specification:

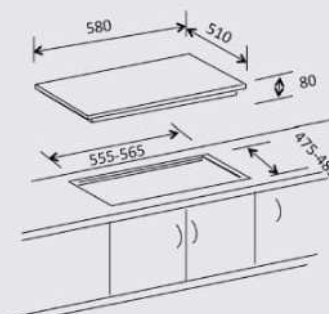
- Stainless Steel
 - Battery Operated Ignition
 - Double-Jet System (L)
 - Triple Ring
 - Medium and Small Burners
 - Cast-Iron Trivets
 - Flame Supervision Device
- Overall Dimension (mm)
W:580 x D:510 x H:88
- Cut-out Dimension (mm)
W:555-565 x D:475-485, 4-R30



Blossom Flame



Safety Device





358.00



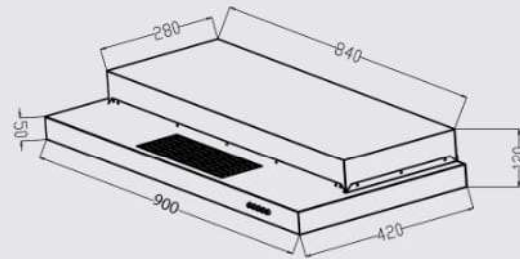
EH-2990

Air-Flow: 550 m³/h
Noise Level: 56db (LPA)



General Specification:

- 900mm Slim-Line Hood
- Stainless Steel Finishing With Black Acrylic Front Panel
- 2 x 70W Motor
- 1 x 8W LED Stripe Light
- 3-Speed Mechanical Push Button Control
- 1 x Stainless Steel Plate-Cover
- 1 x Carbon Mat



338.00

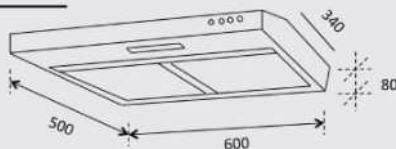
EH-9160



General Specification:

- 600mm Conventional Hood
- Stainless Steel Finishing With Black Acrylic Front Panel
- 2 x 100W Motor
- 1 x 40W Warm Light
- 3-Speed Mechanical Push Button Control
- 2 x Alu Filter & 2 x Carbon Mat

Air-Flow: 450 m³/h
Noise Level: 61db (LPA)



338.00

EH-9180

358.00

EH-9280

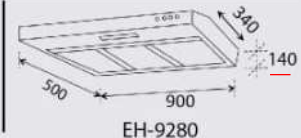
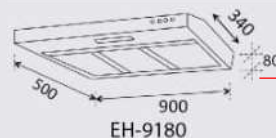
EH-9180 / EH-9280



General Specification:

- 900mm Conventional Hood
- Stainless Steel Finishing With Black Acrylic Front Panel
- 2 x 100W Motor
- 1 x 40W Warm Light
- 3-Speed Mechanical Push Button Control
- 3 x Alu Filter & 3 x Carbon Mat (EH-9180)
- 3 x Alu Filter & 3 x Carbon Mat (EH-9280)

Air-Flow: 450 m³/h
Noise Level: 61db (LPA)





448.00

888.00

888.00



EH-6180

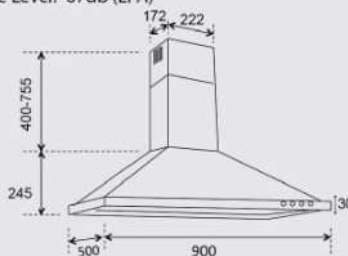
General Specification:

- 900mm Chimney Hood
- Stainless Steel Finishing
- 1 x 210W Motor
- 2 x 2W LED Light
- 3-Speed Mechanical Push Button Control
- 3 x Stainless/Aluminium Metallic Filter
- 2 x Charcoal Filter



Air-Flow: 800 m³/h

Noise Level: 67db (LPA)



EH-2880

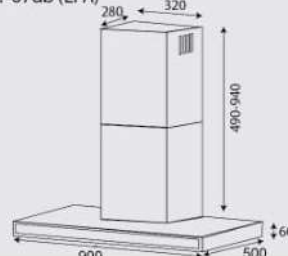
General Specification:

- 900mm Chimney Hood
- Stainless Steel Finishing
- 1 x 300W Motor
- 1 x 8W LED Stripe Light
- 4-Speed Soft Touch Switch
- 3 x Aluminium Metallic Filter
- 2 x Charcoal Filter



Air-Flow: 1000 m³/h

Noise Level: 67db (LPA)



EH-2690

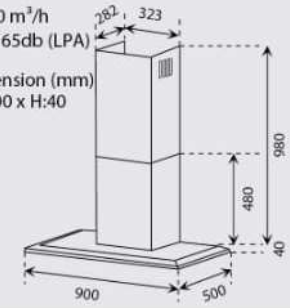
General Specification:

- 900mm Designer Hood
- Anodize Aluminum + Black Paint
- 1 x 210W Motor
- 2 x 1.5W Square LED Light
- 3-Speed Electronic Button with Backlight and Blue EL Light
- 3 x Aluminium Metallic Filter with Coating
- 2 x Charcoal Filter

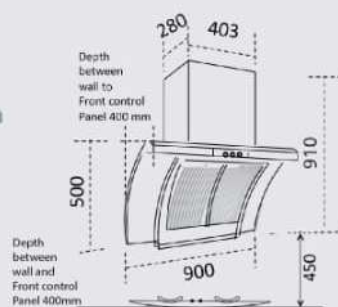
Air-Flow: 800 m³/h

Noise Level: 65db (LPA)

Overall Dimension (mm)
W:900 x D:500 x H:40
+ [480-980]



EH-2688



General Specification:

- 900mm Wall-Mount Hood
- Stainless Steel Body with Arch Glass
- 1 x 270W Motor
- 2 x 1.5W LED Light
- 3-Speed push button control
- 2 x Stainless Steel Baffle Filter
- 1 x Charcoal Filter

Air-Flow: 1200 m³/h

Noise Level: 58db (LPA)

1108.00



668.00

EH-2800

General Specification:

- 450mm Box Hood
- Stainless Steel Finishing
- Body Colour with Apple-Green or Black
- 1 x 210W Motor
- 2 x 1.5W Multi LED Light
- 3-Speed Electronic Button with Backlight
- 1 x Aluminium Filter
- 2 x Charcoal Filter

Air-Flow: 800 m³/h

Noise Level: 65db (LPA)

Overall Dimension (mm)
W:445 x D:355 x H:530 + [450-940]

Optional
Chimney [450-940]



or



9451 5162

Warehse : Blk 20 Woodlands Link Singapore 738733 (NOT SHOWROOM)